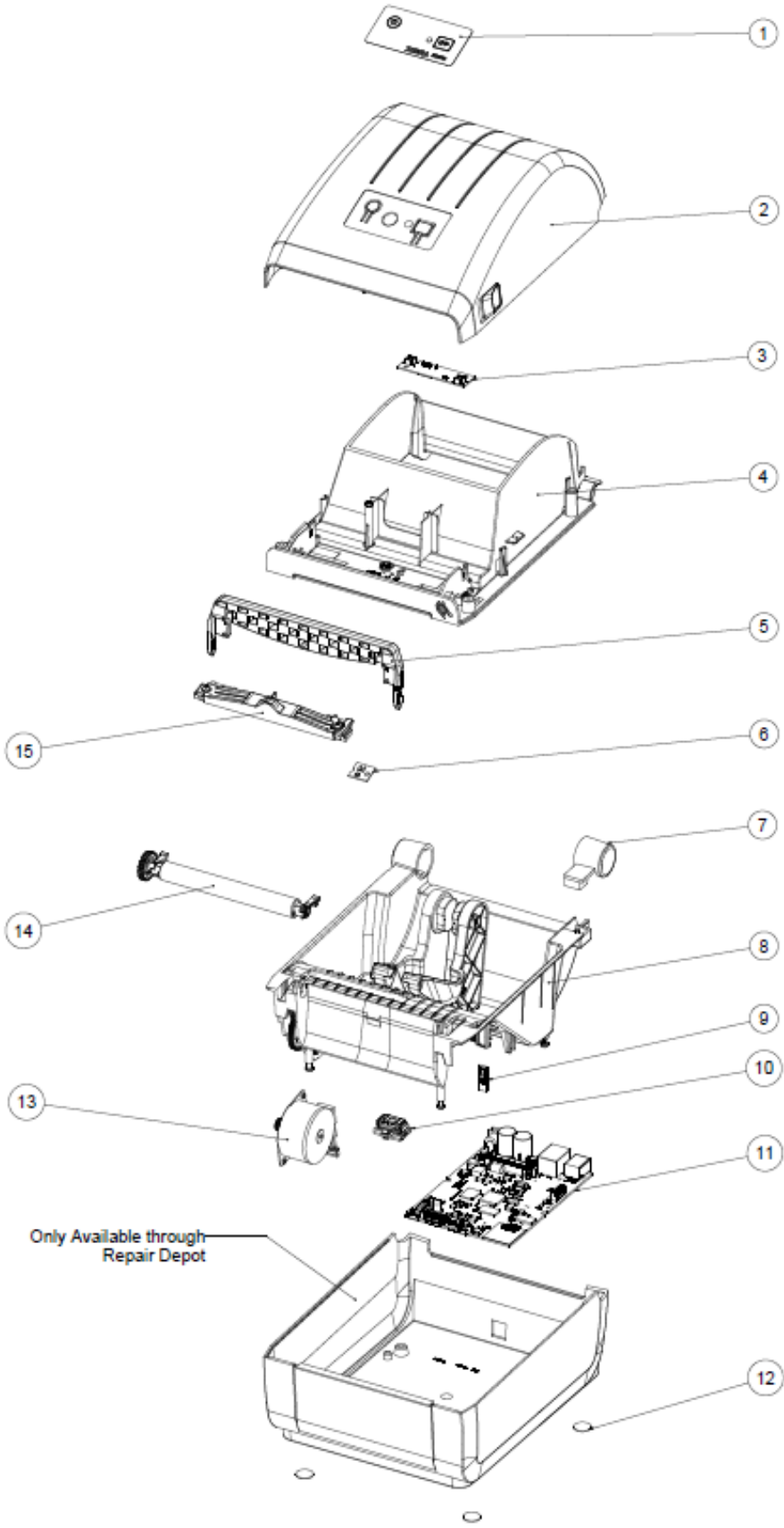


ZD888 Direct Thermal



ZD888 Direct Thermal

Item	Description	Part Number
1	Nameplate for ZD888 Nameplate for ZD888CN Nameplate for ZD888GW Nameplate for ZD888CR Nameplate for ZD888HC	P1080383-726 P1080383-727 P1080383-728 P1080383-729 P1080383-730
2	Cover Assembly for Gray Colored Models Cover Assembly for White Colored Models	P1080383-709 P1080383-710
3	Control Panel PCBA	P1080383-711
4	Inner Lid for Gray Colored Models Inner Lid for White Colored Models	P1080383-712 P1080383-713
5	Latch Assembly	P1112640-007
6	Upper Media Sensor (Gap Sensor)	P1080383-714
7	Cover Hinge	P1080383-715
8	Print Mechanism	P1080383-716
9	Cover Open Sensor	P1080383-717
10	Lower Media Sensor (Blackline Sensor)	P1080383-718
11	China Main Logic Board with USB China Main Logic Board with USB and Bluetooth China Main Logic Board with USB and Ethernet China Main Logic Board with USB and 802.11ac WiFi Taiwan Main Logic Board with USB Taiwan Main Logic Board with USB and Bluetooth Taiwan Main Logic Board with USB and Ethernet Taiwan Main Logic Board with USB and 802.11ac WiFi	P1080383-738 P1080383-740 P1080383-742 P1080383-744 P1080383-737 P1080383-739 P1080383-741 P1080383-743
12	Rubber Feet (set of 4)	P1080383-021
13	Motor Assembly	P1080383-723
14	Platen Roller Bearings for the platen roller, Left & Right (10 each)	P1080383-700 P1080383-224
15	Printhead, 203dpi (Qty of 10)	P1115687
Not Shown	Replacement Cutter (only for replacing a factory-installed cutter)	P1080383-724
	Replacement Dispenser (only for replacing a factory-installed dispenser)	P1080383-746
	Media Core Adaptors, For 1.5" diameter media cores	P1080383-701
	Shipping Pack - Packaging for shipping the printer	P1080383-424
	Power Supply 60W with integrated China power cord	P1099787-001