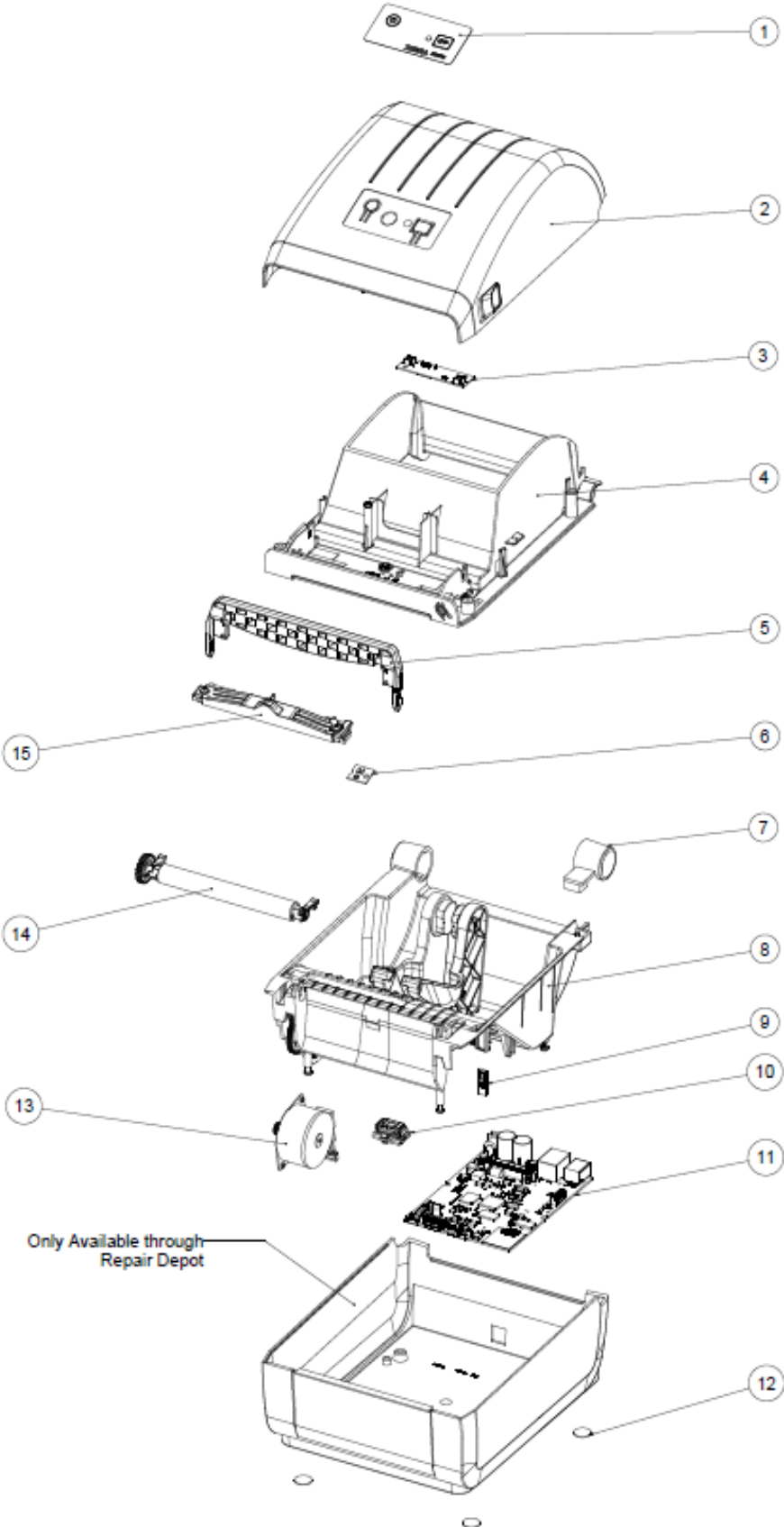


ZD220 & ZD230 Direct Thermal



**ZD220 & ZD230 Direct Thermal**

Item	Description	Part Number
1	Nameplate for ZD220 Nameplate for ZD230	P1080383-707 P1080383-708
2	Cover Assembly for Gray Models Cover Assembly for White Models	P1080383-709 P1080383-710
3	Control Panel PCBA	P1080383-711
4	Inner Lid for Gray Colored Models Inner Lid for White Colored Models	P1080383-712 P1080383-713
5	Latch Assembly	P1112640-007
6	Upper Media Sensor (Gap Sensor)	P1080383-714
7	Cover Hinge	P1080383-715
8	Print Mechanism	P1080383-716
9	Cover Open Sensor	P1080383-717
10	Lower Media Sensor (Blackline Sensor)	P1080383-718
11	ZD220 Main Logic Board with USB ZD230 Main Logic Board with USB ZD230 Main Logic Board with USB and Bluetooth ZD230 Main Logic Board with USB and Ethernet ZD230 Main Logic Board with USB and USA & Canada 802.11ac WiFi ZD230 Main Logic Board with USB and Japan 802.11ac WiFi ZD230 Main Logic Board with USB and All Countries except USA, Canada & Japan 802.11ac WiFi	P1080383-732 P1080383-733 P1080383-734 P1080383-735 P1080383-736A P1080383-736B P1080383-736C
12	Rubber Feet (set of 4)	P1080383-021
13	Motor Assembly	P1080383-723
14	Platen Roller Bearings for the platen roller, Left & Right (10 each)	P1080383-700 P1080383-224
15	Printhead, 203dpi	P1115689
Not Shown	Replacement Cutter (only for replacing a factory installed cutter)	P1080383-724
	Replacement Dispenser (only for replacing a factory installed dispenser)	P1080383-746
	Media Core Adaptors, For 1.5" diameter media cores	P1080383-701
	Shipping Pack - Packaging for shipping the printer	P1080383-424
	Power Supply Unattached, 60W (power cords not included)	P1080383-704
	Power Cord, U.S. 120V IEC320C13 (set of 5)	105950-014
	Power Cord, Euro 220V IEC320C13 (set of 5)	105950-015
	Power Cord, U.K. 240V IEC320C13 (set of 5)	105950-030
	Power Cord, Australia 240V IEC320C13 (set of 5)	105950-029
	Power Cord, China 220V C13 (set of 5)	105950-078
	Power Cord, Japan 125V JAPAN C13 (set of 5)	105950-079
	Power Cord, 220V Argentina C13 (set of 5)	105950-080
	Power Cord, 10A NBR 14136, Brazil (set of 5)	P1033401
	Power Cord, C13, IEC Israel (set of 5)	P1061022-020
	Power Cord India, IS 1293, C13 (set of 5)	P1080829
Power Cord, Taiwan, 125V, IEC320C13 (set of 5)	P1079903-035	