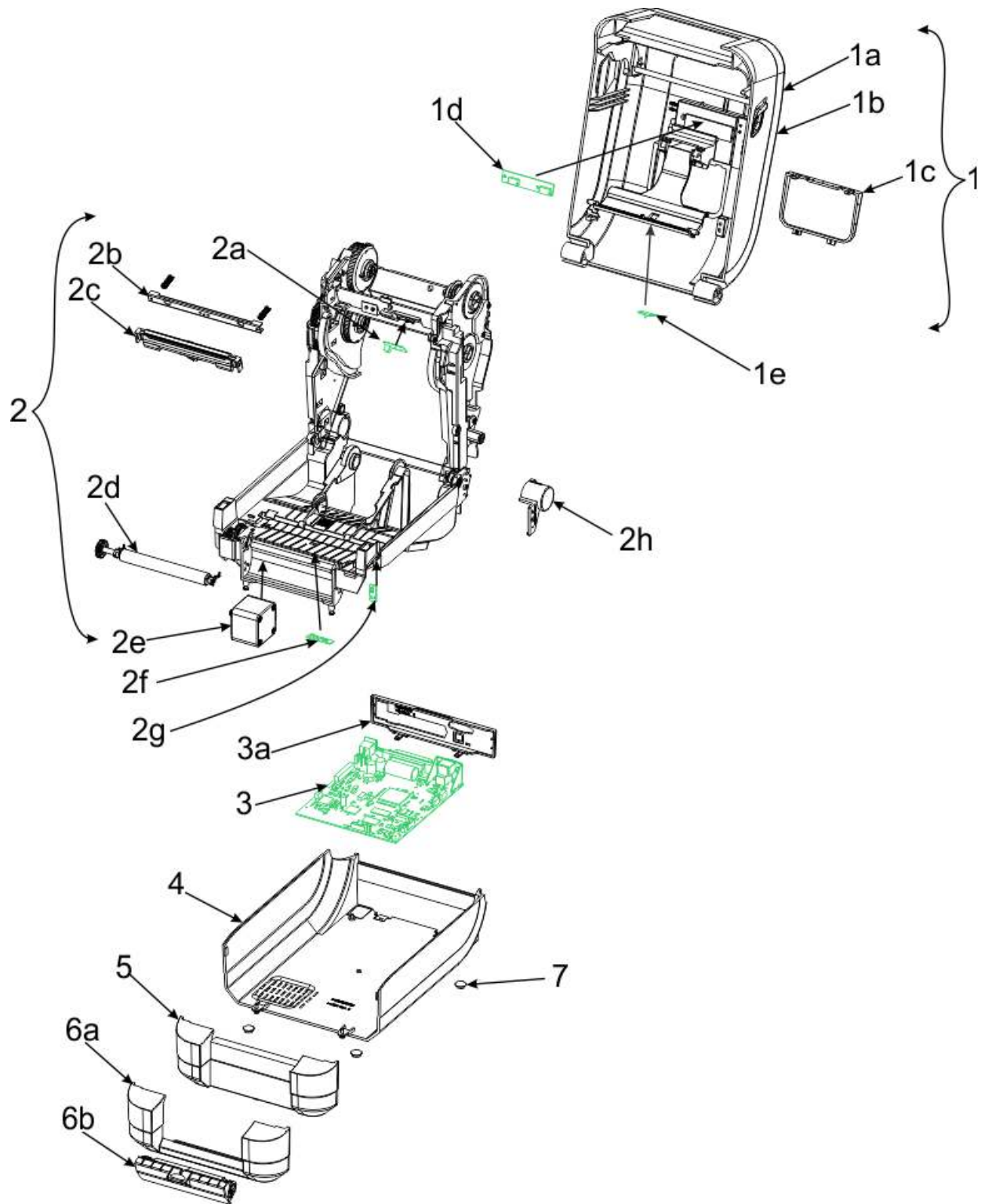


Spare Parts List Desktop Printers

Parts list for GT800 printers with part numbers that have a "1" in the 14th character position: GT800-XXXXXX-1XX.



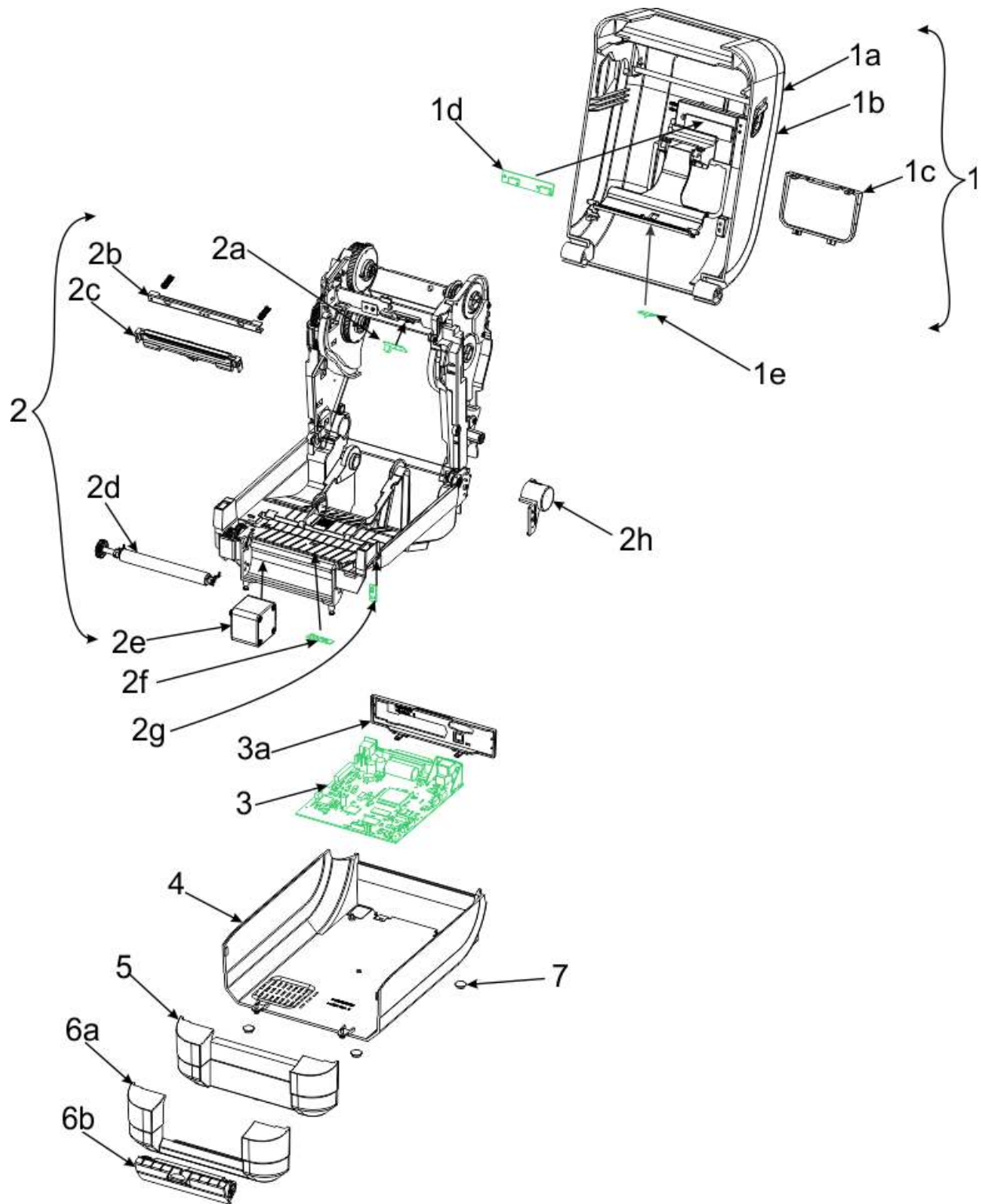
Spare Parts List Desktop Printers

Parts list for GT800 printers with part numbers that have a "1" in the 14th character position: GT800-XXXXXX-1XX.

Item	Description	Part Number
1	Cover Ass'y (includes items listed below)	P1073117-001
1a	Nameplate, Feedswitch	P1025950-014
1b	Nameplate, GT800	P1025950-022
1c	Media Window	P1025950-001
1d	Feed Switch	P1025950-011
1e	Upper Gap Sensor, Movable	P1073117-002
2	Print Mech./ Ribbon Carriage, Moveable Sensor 203 dpi (includes items below)	P1073117-003
2	Print Mech./ Ribbon Carriage, Moveable Sensor 300 dpi (includes items below)	P1073117-004
2a	Ribbon Out Sensor	P1025950-012
2b	Printhead Spring/Pressure Arm	P1025950-017
2c	Printhead, 203dpi	P1025950-019
2c	Printhead, 300dpi	P1073117-007
2d	Platen, Std with bearings	P1025950-008
2e	Motor Assy., 203dpi	P1025950-016
2e	Motor Assy., 300dpi	P1073117-008
2f	Gap/Blackline Sensor, Moveable	P1073117-005
2g	Head Up Sensor	P1025950-010
2h	Cover Hinge	P1025950-013
	Platen Bearings (t)	105934-099
3	GT800 Main Logic Board, USB/Serial/Ethernet TW	P1025950-023
3	GT800 Main Logic Board, USB/Serial/Ethernet, CH	P1025950-024
3	GT800 Main Logic Board, USB/Serial/Ethernet	P1025950-040
3a	Back Panel, USB/Serial/Ethernet (set of 3)	P1025950-025
3	GT800 Main Logic Board, USB/Serial/Parallel CH	P1025950-026
3	GT800 Main Logic Board, USB/Serial/Parallel TW	P1025950-027
3	GT800 Main Logic Board, USB/Serial/Parallel	P1025950-039
3a	Back Panel, USB/Serial/Parallel (set of 3)	P1025950-028
4	Base (Only available via a repair depot)	Depot Only
5	Front Bezel, Std	P1025950-006
6a	Front Bezel, Dispenser	P1025950-007
6b	Dispenser Ass'y	P1025950-037
7	Rubber Foot (set of 5)	105934-024
Not Shown	Cutter Replacement 4"	P1073117-006
	Shipping Pack – Packaging for shipping the printer	P1025950-031
	Ribbon Core, GT-Series (Set of 50)	P1025950-034
	Ribbon Adapter, GT-Series (Set of 5)	P1025950-036
	CD-ROM, GT-Series Users	P1025950-030
	CD-ROM, GT-Series Service	P1025950-038
	Power Supply, 60W, 24V w/CN Cord C13	P1025950-032
	Power Supply, 60W, 24V w/TW Cord C13	P1025950-033
	Power Supply, 60W, 24V w/US Cord C13	P1025950-041
	Power Supply, 60W, 24V w/ UK and EU Cords C13	P1025950-042

Spare Parts List Desktop Printers

Parts list for GT800 printers with part numbers that have a "0" in the 14th character position: GT800-XXXXXX-0XX.



Spare Parts List Desktop Printers

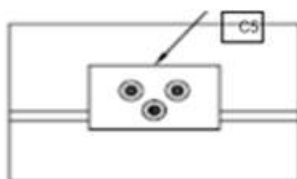
Parts list for GT800 printers with part numbers that have a "0" in the 14th character position: GT800-XXXXXX-0XX.

Item	Description	Part Number
1	Cover Ass'y (includes items listed below)	P1025950-002
1a	Nameplate, Feeds witch	P1025950-014
1b	Nameplate, GT800	P1025950-022
1c	Media Window	P1025950-001
1d	Feed Switch	P1025950-011
1e	Upper Gap Sensor, Fixed	P1025950-003
2	Print Mech./ Ribbon Carriage, Fixed Sensor 203 dpi (includes items listed below)	P1025950-018
2a	Ribbon Out Sensor	P1025950-012
2b	Printhead Spring/Pressure Arm	P1025950-017
2c	Printhead, 203dpi	P1025950-019
2d	Platen, Std with bearings	P1025950-008
2e	Motor Assy., 203dpi	P1025950-016
2f	Gap/Blackline Sensor, Fixed	P1025950-015
2g	Head Up Sensor	P1025950-010
2h	Cover Hinge	P1025950-013
	Platen Bearings (t)	105934-099
3	GT800 Main Logic Board, USB/Serial/Ethernet TW	P1025950-023
3	GT800 Main Logic Board, USB/Serial/Ethernet, CH	P1025950-024
3	GT800 Main Logic Board, USB/Serial/Ethernet	P1025950-040
3a	Back Panel, USB/Serial/Ethernet (set of 3)	P1025950-025
3	GT800 Main Logic Board, USB/Serial/Parallel CH	P1025950-026
3	GT800 Main Logic Board, USB/Serial/Parallel TW	P1025950-027
3	GT800 Main Logic Board, USB/Serial/Parallel	P1025950-039
3a	Back Panel, USB/Serial/Parallel (set of 3)	P1025950-028
4	Base (Only available via a repair depot)	Depot Only
5	Front Bezel, Std	P1025950-006
6a	Front Bezel, Dispenser	P1025950-007
6b	Dispenser Ass'y	P1025950-037
7	Rubber Foot (set of 5)	105934-024
Not Shown	Shipping Pack – Packaging for shipping the printer	P1025950-031
	Ribbon Core, GT-Series (Set of 50)	P1025950-034
	Ribbon Adapter, GT-Series (Set of 5)	P1025950-036
	CD-ROM, GT-Series Users	P1025950-030
	CD-ROM, GT-Series Service	P1025950-038
	Power Supply, 60W, 24V w/CN Cord C13	P1025950-032
	Power Supply, 60W, 24V w/TW Cord C13	P1025950-033
	Power Supply, 60W, 24V w/US Cord C13	P1025950-041
	Power Supply, 60W, 24V w/ UK and EU Cords C13	P1025950-042

GT800

Early GT800 printers use a power supply with a C5 type connector as shown below. When ordering an individual power cord, choose the power cord type that matches the connector type on the power supply currently being used.

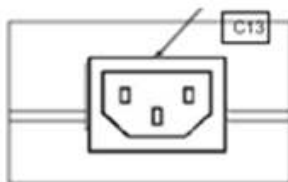
Power Supply with a C5 type connector



Item	Description	Part Number
Not Shown	Power Cord, 120V, IEC320-C5US (Set of 5)	105950-061
	Power Cord, 220V, IEC320-C5, Euro (Set of 5)	105950-062
	Power Cord, 240V, IEC320-C5, UK (Set of 5)	105950-063
	Power Cord, 240V, IEC320-C5, Australia (Set of 5)	105950-064
	Power Cord, 220V, IEC320-C5, Argentina (Set of 5)	105950-066
	Power Cord, 250V, IEC320-C5, Brazil (Set of 5)	P1037999
	Power Cord, 220V, IEC320-C5 China (set of 5)	105950-065
	Power Cord, 125V, IEC320-C5 Taiwan (set of 5)	P1025950-029

Later GT800 printers use a power supply with a C13 type connector as shown below. When ordering an individual power cord, choose the power cord type that matches the connector type on the power supply currently being used.

Power Supply with a C13 type connector



Item	Description	Part Number
Not Shown	Power Cord, U.S. 120V IEC320C13 (set of 5)	105950-014
	Power Cord, Euro 220V IEC320C13 (set of 5)	105950-015
	Power Cord, U.K. 240V IEC320C13 (set of 5)	105950-030
	Power Cord, Australia 240V IEC320C13 (set of 5)	105950-029
	Power Cord, China 220V C13 (set of 5)	105950-078
	Power Cord, Japan 125V JAPAN C13 (set of 5)	105950-079
	Power Cord, 220V Argentina C13 (set of 5)	105950-080
	Power Cord, 10A NBR 14136, Brazil (set of 5)	P1033401